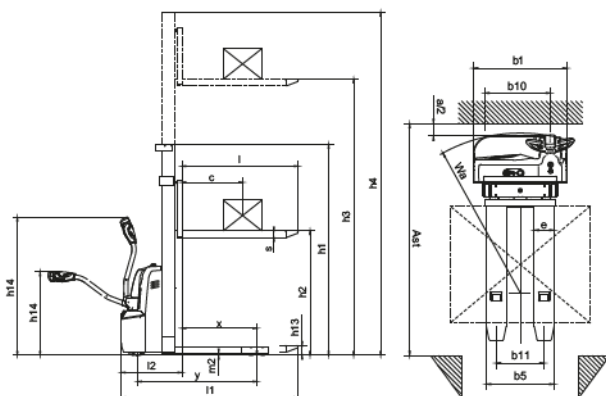
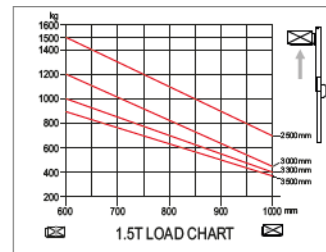
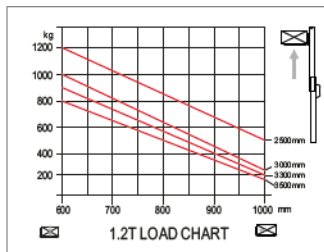
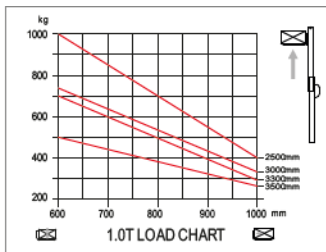


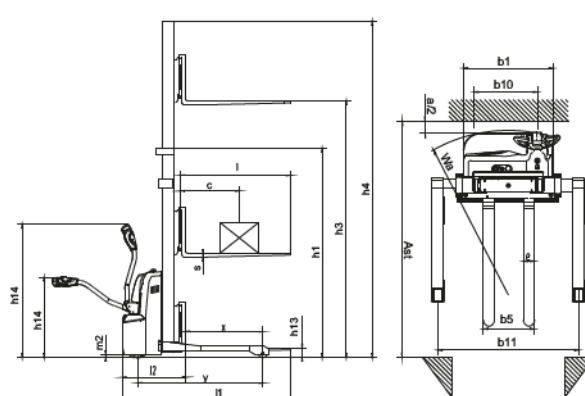


Via Figino, 20/22 - 20016 PERO (MI)
Tel. 02 33910496 - deltaservicesrl.assistenza@gmail.com

General Information		CDD10R-E	CDD12R-E	CDD15R-E
1.2	Manufacturer's type designation			
1.3	Drive: electric (battery type, mains, ...), diesel, petrol, fuel gas	Electric	Electric	Electric
1.4	Operator type: hand, pedestrian, standing, seated, order-picker	Pedestrian	Pedestrian	Pedestrian
1.5	Rated capacity/rated load	Q (kg) 1000	1200	1500
1.6	Load centre distance	c (mm) 600	600	600
1.8	Load distance, centre of drive axle to fork	x (mm) 741	741	741
1.9	Wheelbase	y (mm) 1180	1180	1180
Weight				
2.1	Service weight	kg 460/525/545/560/565	615/640/660/675/680	700/730/750/765/770
2.2	Axle loading, laden front/rear	kg 515/1063	637/1233	647/1553
2.3	Axle loading, unladen front/rear	kg 405/145	508/162	518/182
Tyres				
3.1	Tyres: solid rubber, superelastic, pneumatic, polyurethane		PU	
3.2	Tyre size, front		Φ195x70	
3.3	Tyre size, rear		Φ80x70	
3.4	Additional wheels (dimensions)		Φ150x60	
3.5	Wheels, number front/rear (x = driven wheels)		1x+ 1/4	
3.6	Tread, front	b10 (mm)	523	
3.7	Tread, rear	b11 (mm)	410/525	
Dimensions				
4.2	Height, mast lowered	h1 (mm)	2090/1840/2090/2200/2340	
4.4	Max. lift height	h3 (mm)	1600/2500/3000/3300/3500	
4.5	Height, mast extended	h4 (mm)	2090/3060/3560/3860/4060	
4.9	Height drawbar in driving position min./max.	h14 (mm)	670/1300	
4.15	Height, lowered	h13 (mm)	90	
4.19	Overall length	l1 (mm)	1748(1668)	
4.20	Length to face of forks	l2 (mm)	598	
4.21	Overall width	b1/b2 (mm)	800	
4.22	Fork dimensions DIN ISO 2331	s / e / l (mm)	60/170/1150(1070)	
4.25	Fork spread	b5 (mm)	570/695	
4.32	Ground clearance, centre of wheelbase	m2 (mm)	26	26
4.34.1	Aisle width for pallets 1000 × 1200 cross ways	Ast (mm)	2218	2218
4.34.2	Aisle width for pallets 800 × 1200 lengthways	Ast (mm)	2173	2173
4.35	Turning radius	Wa (mm)	1365	1365
Performance Data				
5.1	Travel speed, laden/unladen	km/h 4.5/5	4.5/5	4.5/5
5.2	Lift speed, laden/unladen	m/s 0.11/0.14	0.09/0.14	0.08/0.14
5.3	Lowering speed, laden/unladen	m/s 0.12/0.10	0.12/0.10	0.12/0.10
5.7	Gradeability, laden/unladen	% 6/15	6/15	6/15
5.8	Max. gradeability, laden/unladen	% 6/15	6/15	6/15
5.10	Service brake		Electromagnetic	
Motors				
6.1	Drive motor rating S2 60 min	kW 0.65	0.65	0.65
6.2	Lift motor rating at S3 15%	kW 2.2	2.2	2.2
6.4	Battery voltage/nominal capacity K5	(V)/(Ah) or kWh 24/105(125)	24/105(125)	24/125
6.5	Battery weight	kg 52(70)	52(70)	70
Additional Data	10.7 Sound pressure level at the driver's seat	dB (A) 70	70	70



CDD10R-E/CDD12R-E/CDD15R-E



CTD10R-E/CTD12R-E/CTD15R-E